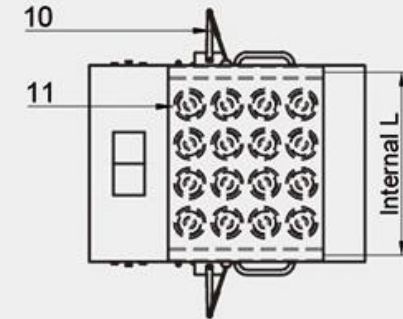
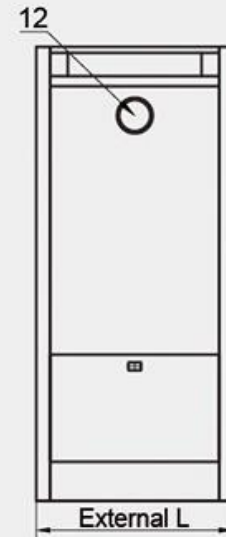
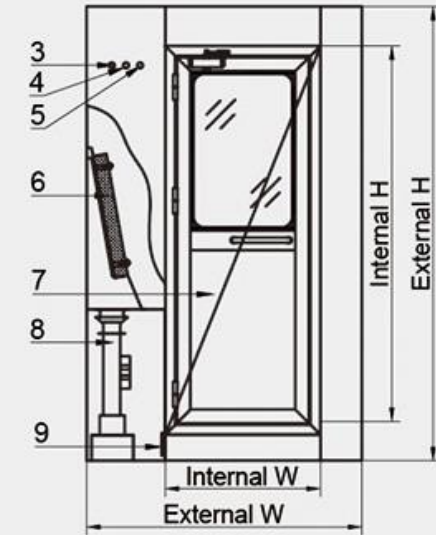
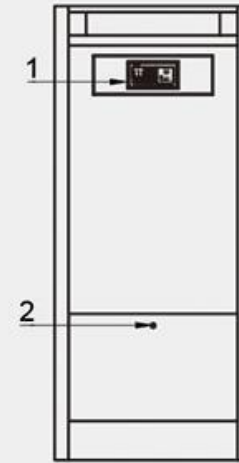


Vertical Flow Air Shower



Blow way: Single blow/Double blow/Three blow/surrounded blow/Vertical blow
SS nozzle diameter: $\varnothing 25\text{mm}$
Material: powder coated steel/stainless steel
Controller: Electronic control panel/ PLC
Power supply: 220V/380V



//Parameter

- | | | |
|-----------------------------|----------------------------|--------------------|
| 1. Electronic control panel | 5. Emergency off/on switch | 9. pre-filter |
| 2. Infrared sensor | 6. HEPA filter | 10. Door closer |
| 3. Power light | 7. Door | 11. Nozzle |
| 4. Working light | 8. Fan | 12. Embedded light |

Physical mechanics

Our system utilizes a unique airflow pattern where the air is released from the top and then circulates downwards, effectively removing dust from the body through gravity. This design avoids the formation of whirlpools, ensuring an optimal purifying effect and preventing the recontamination of the cleaned area.

Comparative advantage

Traditional air showers available in the market typically feature a simple structure and a double blow system. However, these designs have a higher tendency to create whirlpools due to irregular air flow patterns. Consequently, immediate and efficient removal of dust becomes challenging with such systems.

Features

1. Adopting the fan, high efficiency filtration equipment, nozzle, return air system of air shower
2. Single air shower room 16pcs of 25m/s high-speed airflow nozzle and form a vertical air circumfluence system
3. One-way air distribution mode make airflow velocity maintain consistency

Application fields

- Electronic
- Biological manufacturing industry
- Medical industry
- Food processing
- Automobile manufacturing industry

Product Specification

Item		Standard Air Shower with Vertical Blow		
Model		ASV-1150/3/1	ASV-1150/3/2	ASV-1150/3/3
Material	External and internal: Epoxy power coated steel / Stainless steel 304; Baseplate: Perforated stainless steel 304			
External size (W*L*Hmm)		1150*1000*2280	1150*2000*2280	1150*3000*2280
Internal size (W*L*Hmm)		800*930*1950	800*1930*1950	800*2930*1950
Door width (Wmm)		700	700	700
Nozzle in stainless steel (pc)		16	32	48
Nozzle wind speed (m/s)		≥25	≥25	≥25
Nosie dB (1m from equipment)		< 68	< 68	< 68
LED lamp (11W/pc)		1	2	3
Fan	Power supply (V/Hz)	380/50	380/50	380/50
	Power/set (W)	750	750	750
	Quantity/Set	1	2	3
Size of HEPA filter (W*H*Dmm)		630*630*69	630*630*69	630*630*69
Size of pre-filter (W*H*Dmm)		855*158*17	855*158*17	855*158*17
Power supply (W) -Door closer		810	1620	2430
Extra height version		External height size: 2380mm, Internal height size: 2050mm		