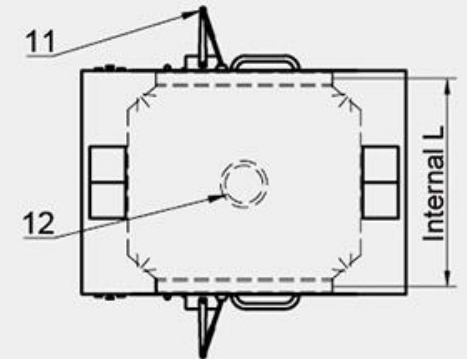
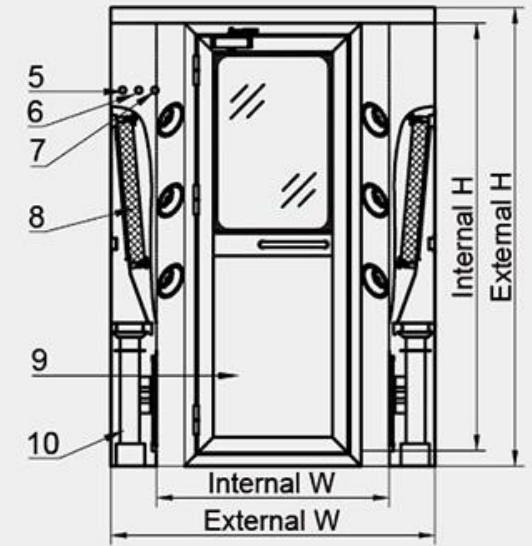
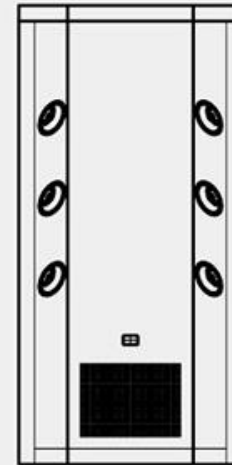
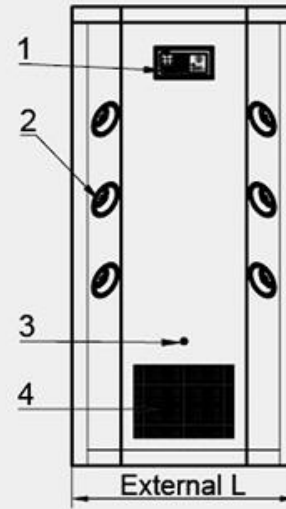


Surrounded High Efficiency Air Shower



Blow way: surrounded blow
 SS nozzle diameter: $\varnothing 25\text{mm}$
 Material: powder coated steel/stainless steel
 Controller: Electronic control panel/ PLC
 Power supply: 220V/380V
 Dimensions: Customized



//Parameter

- | | | |
|--------------------|----------------------------|--------------------|
| 1. Control panel | 5. Power light | 9. Door |
| 2. Nozzle | 6. Working light | 10. Fan |
| 3. Infrared sensor | 7. Emergency off/on switch | 11. Door closer |
| 4. pre-filter | 8. HEPA filter | 12. Embedded light |

Standard configuration

1. With 2 ultrathin and big volume motor.
2. Mini-pleat HEPA filter
3. The built-in Eight edges shape, distribution is uniform

Breakthrough

1. Use efficiency increased by 50%
round air without collision, centrifugal rotating, and tension continuously strengthen, quickly take away the dust particles
2. Dust cleaning effect increased by 30%
using CFD fluid movement student principle, it can save more at same working status.
3. Energy saving 28%
low consumption power, promote efficiency, intelligent standby.
4. Life increased 35%
usage life increased 1080 days compared with original foundation.
5. Automatic sensor
decreased the chance of pollution and makes working become more convenient
6. Independent section for air shower channel
adopts individual section to combine into a air shower tunnel. This method can clean air step by step and achieve high efficiency and energy saving purpose.

Product Specification

Item		Standard Air Shower with Surrounded Blow		
Model		ASF-1450/1	ASF-1450/2	ASF-1450/3
Material		External and internal: Epoxy power coated steel / Stainless steel 304; Baseplate: Stainless steel 304		
External Size (WxLxHmm)		1450x1000x2050	1450x2000x2050	1450x3000x2050
Internal Size (WxLxHmm)		1040x930x1950	1040x1930x1950	1040x2930x1950
Door width (Wmm)		690	690	690
Nozzle in stainless steel (pc)		12	24	36
Nozzle wind speed (m/s)		≥25	≥25	≥25
Noise (1m away) (dB)		< 68	< 68	< 68
Fan	Power supply (V/Hz)	380/50	380/50	380/50
	Power (W/set)	550	550	750
	Quantity /set	2	4	6
HEPA filter	Size (W×H×Dmm)	484×484×69	484×484×69	484×484×69
Pre-filter	Size (W×H×Dmm)	445×380×17	445×380×17	445×380×17
Total power supply/W		1160	2270	3380
Extra height version		External height size: 2150mm, Internal height size: 2050mm		

Application fields

Electronic, biological manufacturing industry, medical industry, food processing, space, air, automobile manufacturing industry, dust-free painting industry and other industries.