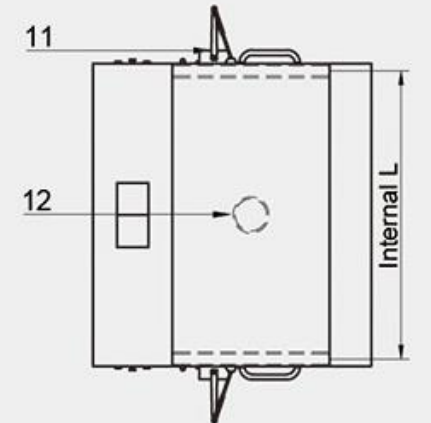
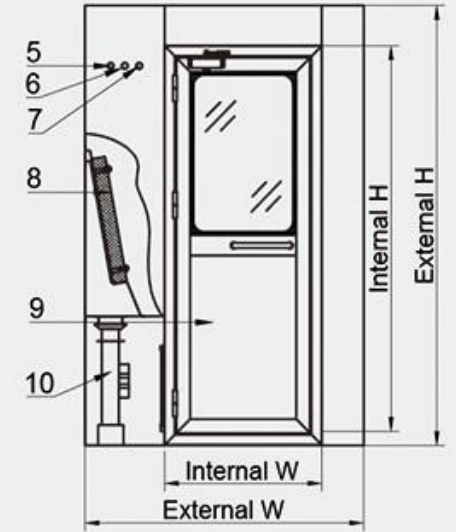
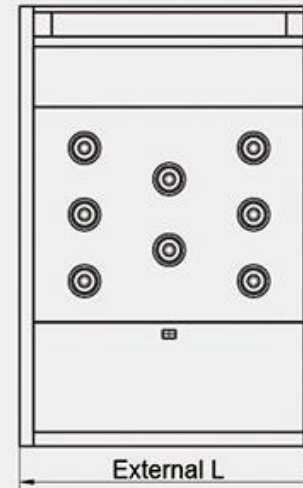
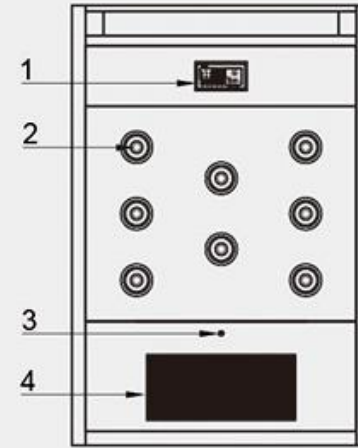


Stainless Steel Air Shower



- Blow Way Options: Choose from a variety of blow way options, including single blow, double blow, three blow, surrounded blow, and vertical blow, to suit your specific needs.
- SS Nozzle Diameter: The stainless steel (SS) nozzles have a diameter of $\varnothing 25\text{mm}$, ensuring efficient and targeted airflow for optimal performance.
- Premium Material: Made from high-quality stainless steel 304 material, our product guarantees durability, corrosion resistance, and longevity.
- Controller Options: Select either an electronic control panel or a PLC (Programmable Logic Controller) for advanced control and seamless operation.
- Power Supply: Our system supports both 220V and 380V power supplies, providing flexibility and compatibility with various electrical setups.



// Parameter

- | | | |
|--------------------|----------------------------|--------------------|
| 1. Control panel | 5. Power light | 9. Door |
| 2. Nozzle | 6. Working light | 10. Fan |
| 3. Infrared sensor | 7. Emergency off/on switch | 11. Door closer |
| 4. pre-filter | 8 HEPA filter | 12. Embedded light |



Slide rail style door closer



LED lighting



High efficiency filter



LCD control screen



Stainless steel nozzle



High performance fan

Advanced Technology

Through intelligent programming, precise control is achieved, while the two-door interlock ensures authorized access only. The infrared sensing technology triggers targeted air blowing for optimal cleanliness, and the clear indicators provide easy monitoring. In critical situations, the emergency stop switch prioritizes safety. Together, these features signify our commitment to delivering a robust solution that enhances professionalism, convenience, and security for our users.

Operating principle

The air blows out and goes through from pre-filter and static pressure box, and then after the HEPA filter, the clean air comes out from the nozzles. The returned air with dust go back to pre-filter and then go through the cycle again.

Application Areas

- Semiconductor factory
- Microelectronics factory
- Biological pharmaceutical factory.

Product Specification

| Item | | Single blow air shower for one person | Double blow air shower for one person | Double blow air shower for two person |
|--------------------------------|------------------------------|---------------------------------------|---------------------------------------|---------------------------------------|
| Model | | ASS-1260/1 | ASS-1400/1 | ASS-1400/1.5 |
| External Size (WxLxHmm) | | 1260x1000x2050 | 1400x1000x2180 | 1400x1500x2180 |
| Internal Size (WxLxHmm) | | 790x930x1910 | 790x930x1910 | 790x1430x1910 |
| Nozzle in stainless steel (pc) | | 6 | 12 | 16 |
| Nozzle wind speed (m/s) | | ≥25 | ≥25 | ≥25 |
| Noise (1m away) (dB) | | < 65 | < 65 | < 65 |
| Fan | Power supply (V/Hz) | 380/50 | 380/50 | 380/50 |
| | Power (W) | 750×1 | 600×1 | 750×1 |
| | Quantity (set) | 2 | 4 | 6 |
| | Air flow (m ³ /h) | 1200 | 1500 | 2500 |
| HEPA filter | Size (W×H×Dmm) | 630×630×69 | 630×630×69 | 630×915×69 |
| | Quantity (set) | 1 | 1 | 1 |
| Pre-filter | Size (W×H×Dmm) | 775×380×17 | 775×380×17 | 775×380×17 |
| | Quantity (set) | 1 | 1 | 1 |
| Total power supply/W | | 780 | 630 | 780 |