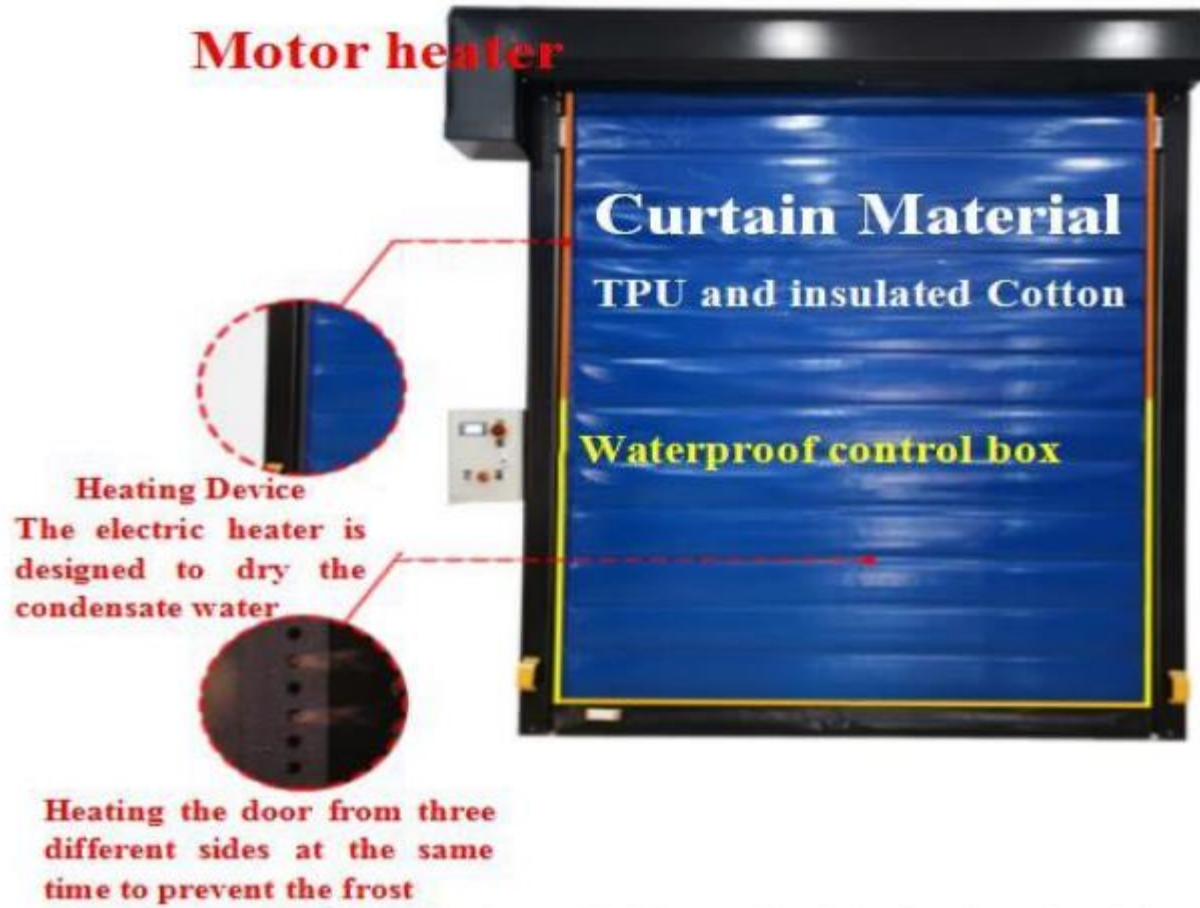


Cold-resistant Storage Door



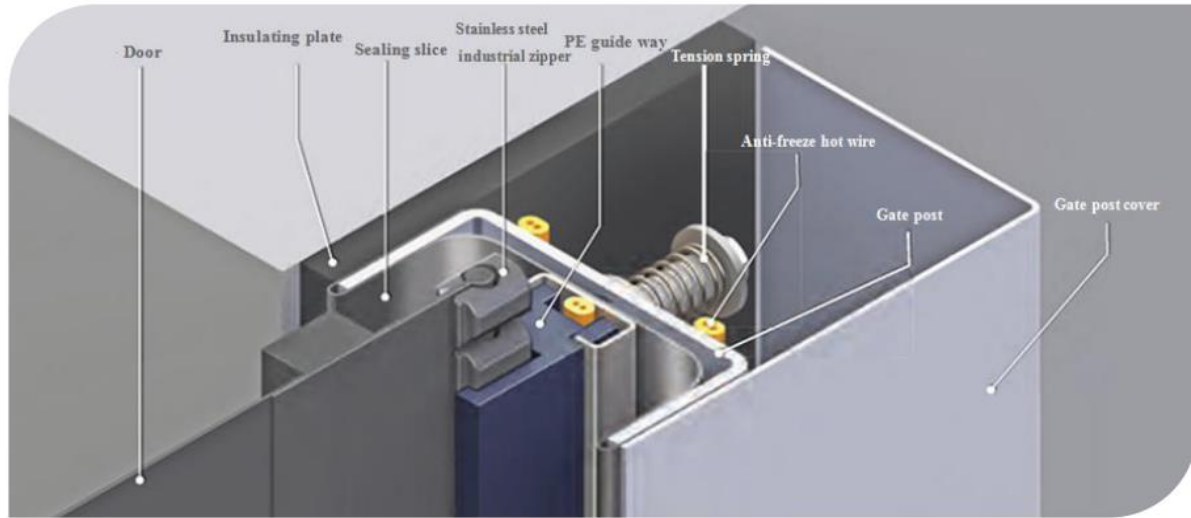
1. A new type of fast-rolling door with high-speed isolation function. The whole frame is cut off by a large laser cutting machine so that the appearance is beautiful and elegant. It can bear temperatures of -10°C , and the cold resistant abilities can be better according to customers' demand.
2. The door curtain is a double-layer cold-resistant mesh with a thickness of 0.9MM, the middle insulation layer is 4 MM, and the total thickness of the curtain is 6MM. The thickness of the insulation layer can be intensified according to customers' demand.
3. The control system adopts PC waterproof box with the best waterproof seal, effectively isolating the water fog from entering.
4. The motor has the function of heating to prevent the low temperature from affecting the normal operation of the motor.
5. The door frame and the curtain can be installed heating system according to customers' needs.
6. To ensure that there are more than 150,000 fault-free operations throughout the year, within 500 times per day.







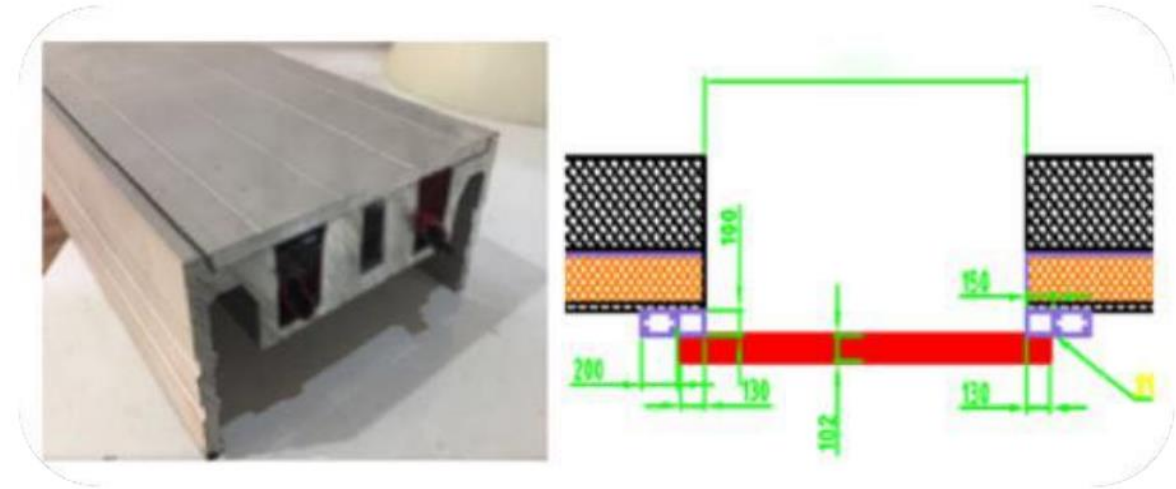
Door Frame Heating System



Anti-freeze heating cables are installed in the slide tracks on both sides of the cold storage door to control the box inside the insulation device, and completely eliminate the ice in the track, so that the service life of the door is greatly prolonged.



Heated Floor

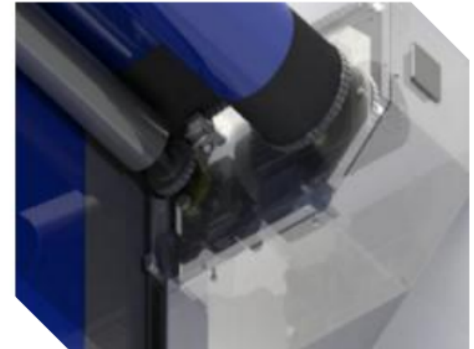


The soft fast-rolling cold storage door can be directly installed and used in the low temperature storage. Different floor heating systems should be selected to fit different environment.

Double Drum Cold Storage Fast-rolling Door



1. On the basis of the common cold storage fast-rolling door, this product has changed to double drum, so as to obtain better isolation effect and stability. It can withstand minus 35 degrees low temperature. What's more, it can be upgraded according to customer needs to achieve lower cold temperature.
2. The advanced great sealing structure reduces the energy loss and achieves better energy saving effect. The door panel zipper is closely combined with the track to eliminate the gap and cut off the flow of air.
3. The product is equipped with derailment automatic repair system. Even if the door is hit, reopening the door can easily reset the panel without any other manual repair, which make the door's shutdown time and maintenance cost be minimized.
4. The powerful self-detection and control system is equipped with extensible interface, which can interlock multiple doors and devices at the same time.





21
←

22
←

