

100mm High Flux LED Traffic Lights

Applications :

Traffic Signals, Tolls Plazas, Parking areas, Loading Docks, Industrial door applications

Features/Benefits

- High flux LED
- Meet CE, Australian standards
- PF>0.9, THD<15
- Super fast turn on, super fast turn off, time less 75ms.
- Energy saving
- Working temperature environment: -40°C ~+ 70°C
- LED-based traffic signal modules
- Uniform signal appearance / no LED dots visible
- Custom-made symbol masks on request
- Design minimizes sun phantom effects.
- Easy to install into existing signal enclosure.

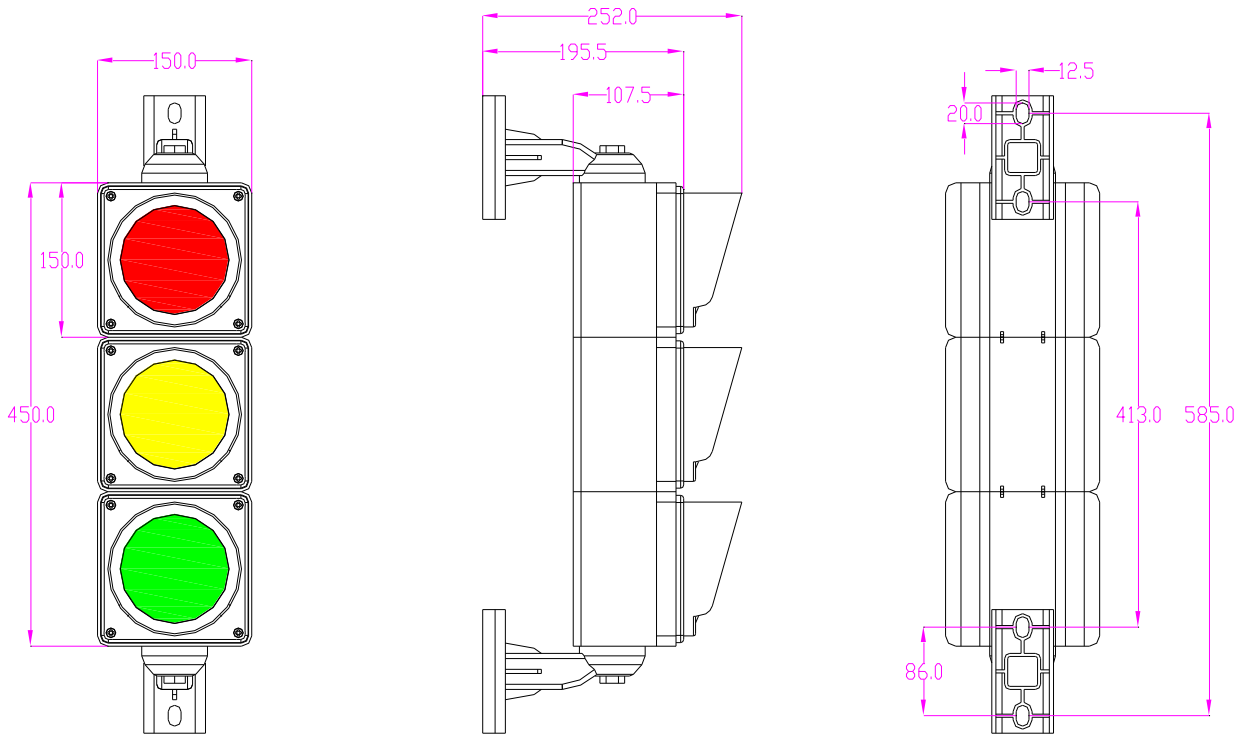


Specifications

Items	ZAM-TL-HF-100mm		
Size	100mm(4')	100mm(4')	100mm(4')
Color	Red	Amber	Green
LEDs (pcs)	1	1	1
Luminance (cd)	>100	>100	>100
Module shape	Round	Round	Round
Power consumption (W)	>5	>5	>5
Typical Dominant Wavelength(mm)	625	590	502
Housing material	PC (UV-stabilized polycarbonate)		
Cover Shape	tinted Cobweb len		
Voltage (V)	120VAC or 230VAC or 12-24V DC		
Power Factor	>0.9		
Operating temperature (°C)	-40°C ~+ 70 °C		
Insulation resistance	≥2M		
Total harmonic distortion	<20%		
IP rate	IP65		

Size (Unit: inch (mm))

Traffic Lights
3 aspects:



2 aspects:

